

## E5 Cam Latch

Zinc · Tool operated · Fixed grip



### Features

- Single hole install
- Latched / unlatched indicator
- EN 45545-3 E10 Compliant
- NEMA 4 / IP65 achieved using supplied gasket

### Notes

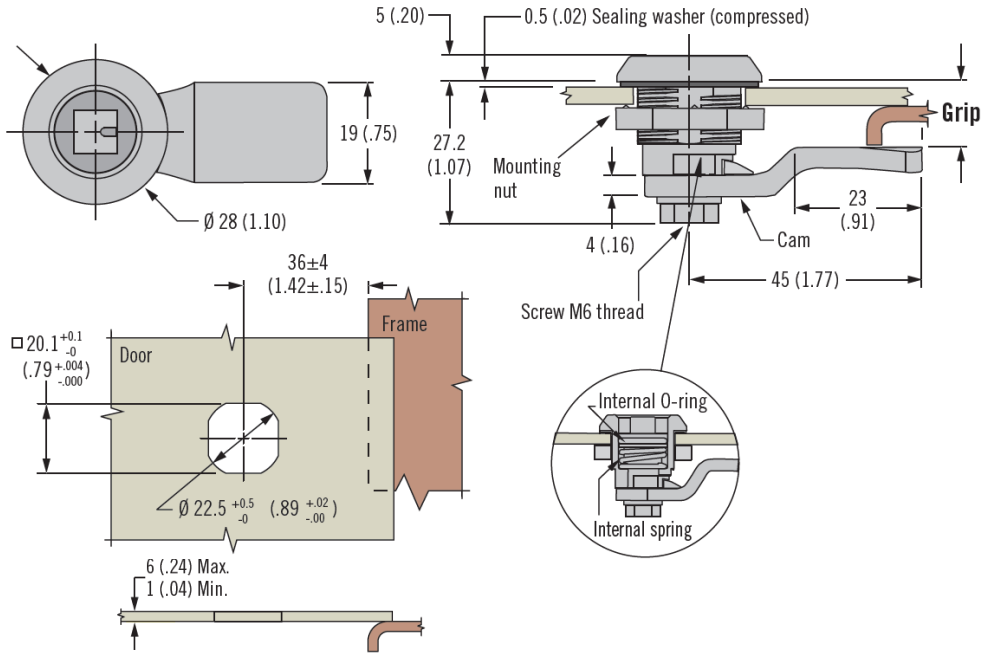
- Suitable for push-to-close action

### Material

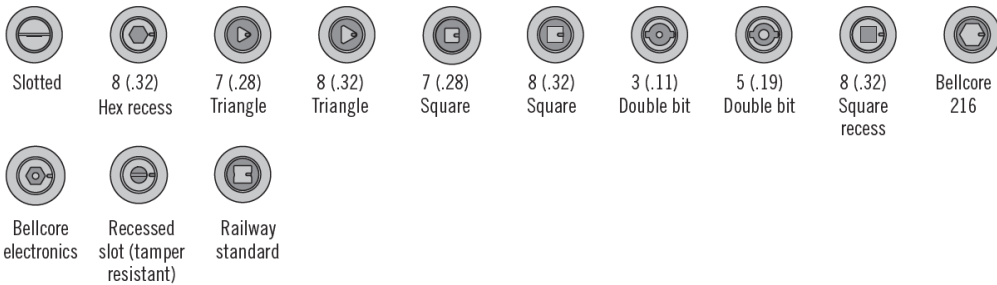
- Zinc alloy, powder coated or chrome plated and steel, zinc plated

### Product Performance

- Maximum static load: 330 N
- Mounting nut maximum tightening torque: 10 N.m
- Screw Maximum tightening torque: 5 N.m



### H Head Styles



Latch Part Number (no cam)

**E5 - 6 - H F - UU1**

### F Finish

- 2 Bright chrome
- 5 Black powder coated

### H Head style

- 00 Slotted
- 01 8 (.32) Hex recess
- 02 7 (.28) Triangle
- 03 8 (.32) Triangle
- 04 7 (.28) Square
- 05 8 (.32) Square
- 06 3 (.11) Double bit
- 07 5 (.19) Double bit
- 08 8 (.32) Square recess
- 13 Bellcore 216
- 19 Bellcore electronics
- 21 Recessed slot (tamper resistant)
- 22 Railway standard

Grip +2(.08) -0(.00)	Part Number	Grip +2(.08) -0(.00)	Part Number	Grip +2(.08) -0(.00)	Part Number	Grip +2(.08) -0(.00)	Part Number
4 (.16)	E5-6003	14 (.55)	E5-6008	24 (.94)	E5-6013	34 (1.34)	E5-6018
6 (.24)	E5-6004	16 (.63)	E5-6009	26 (1.02)	E5-6014	36 (1.42)	E5-6019
8 (.31)	E5-6005	18 (.71)	E5-6010	28 (1.10)	E5-6015	38 (1.50)	E5-6020
10 (.39)	E5-6006	20 (.79)	E5-6011	30 (1.18)	E5-6016	40 (1.57)	E5-6021
12 (.47)	E5-6007	22 (.87)	E5-6012	32 (1.25)	E5-6017	42 (1.65)	E5-6022



## E5 Cam Latch Accessories

### Keys and flush mount bracket

#### Material

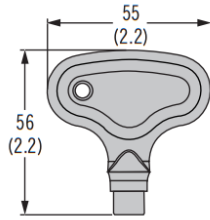
- Tool key: Zinc alloy or nylon
- Overmolded key: Nickel plated and ABS plastic black
- Flat key: Nickel plated



#### Keys Zinc or Nylon

##### H Head style

- 2 3 (.11) Double bit
- 3 7 (.28) Triangle
- 4 7 (.28) Square
- 7 8 (.32) Triangle
- 8 8 (.32) Square recess
- 9 5 (.19) Double bit (nylon only)
- 10 8 (.32) Square male (zinc only)
- 11 Bellcore electronics
- 12 Bellcore 216 (zinc only)
- 14 Railway Standard (zinc only)



##### F Finish

- 1 Plated zinc
- 2 Natural zinc
- 3 Nylon, black

E3 - H - F

#### Head Styles

- 2 3 (.11) Double bit
- 3 7 (.28) Triangle
- 4 7 (.28) Square
- 7 8 (.32) Triangle
- 8 8 (.32) Square recess
- 9 5 (.19) Double bit
- 10 8 (.32) Square male
- 11 Bellcore electronics
- 12 Bellcore 216
- 14 Railway Standard

#### Overmolded Keys

Key CH751



Key R001



#### Flat Keys

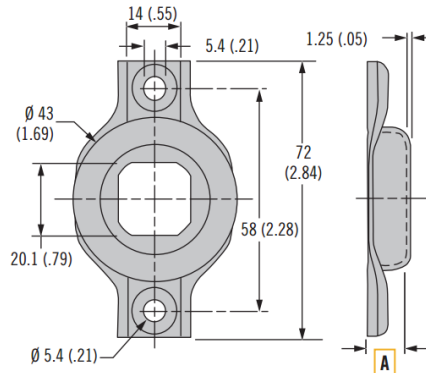
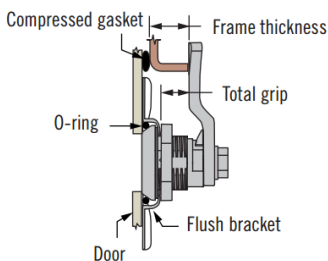
Key CH751



#### Part Number

- Overmolded key CH751:
  - Single: PK-10-10-05
  - Pair: PK-10-01-05
- Overmolded key R001:
  - Single: PK-10-10-05-KR001
  - Pair: PK-10-01-05-KR001
- Flat key
  - Pair: PK-10-01

#### Flush Mount Bracket



#### Material

- Stainless steel or galvanized steel with rubber o-ring

A	Part Number	Material
6.6	E3-77-1-12	Galvanized steel
6.6	E3-77-1-24	304 Stainless steel

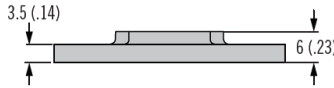
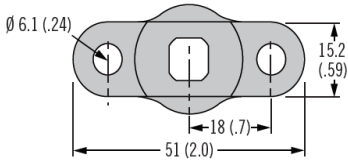
To calculate the **Total Grip**, use the following formula: **Frame Thickness + Compressed Gasket - A**.  
Use this **Total Grip** with the appropriate E5 tables in the **SOUTHCO® Handbook** to determine cam type.

## E5 Cam Latch Accessories

Multi-point actuators · Dummy cam



### Multi-Point Actuator



Part Number	
A5-91-201-11	

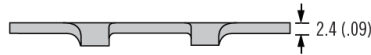
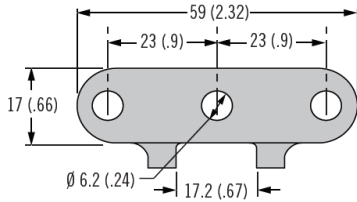
#### Material

- Zinc alloy

#### Notes

- Contact Gripwell for multi-point for cable assembly options
- Not recommended for Cylinder Lock version)
- Not to be used with low profile E5

### Multi-Point Actuator - Low Profile



Part Number	
A8-4-01-03	

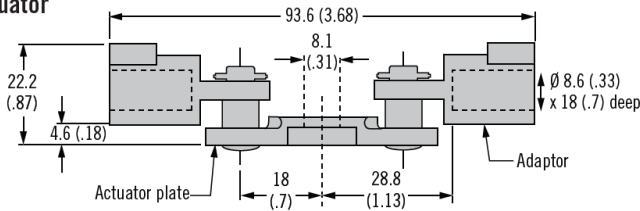
#### Material

- Steel plated

#### Notes

- Contact Gripwell for multi-point rod options
- For use with all E5 latches

### Multi-Point Actuator



Part Number	
A5-90-101-11	

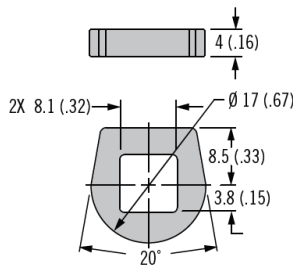
#### Material

- Zinc alloy and steel, zinc plated

#### Notes

- Contact Gripwell for multi-point rod options
- Not to be used with low profile E5

### Dummy Cam



Part Number	
Steel	H3-0-45688
Stainless Steel	H3-0-45688-24

#### Material

- Steel, stainless steel

#### Notes

- Replaces cam when used with actuator plate A5-90-101-11 in order to create a 2-point latching system

## E5 Cam Latch Accessories

Hooked cam · Multi-point actuator · Cable brackets



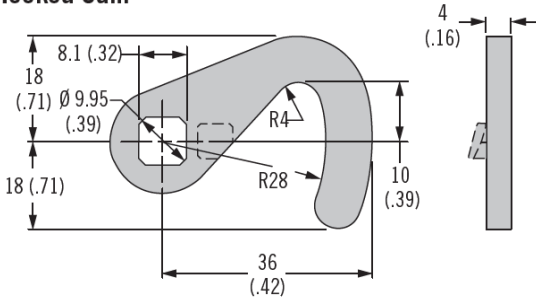
### Material

- Hook cam: Steel, plated
- Multi-point actuator: Zinc alloy, plated
- Cable bracket: Steel, plated

### Notes

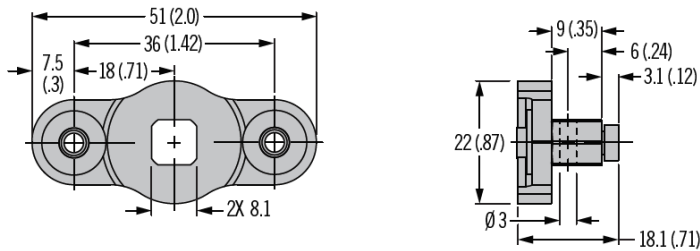
- Not to be used with low profile E5

### Hooked Cam



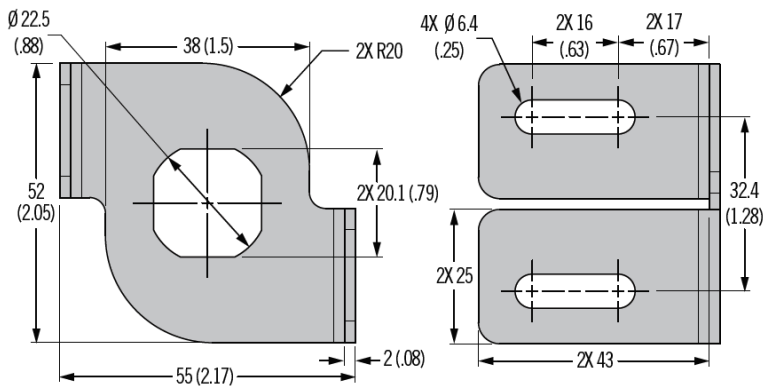
Hooked Cam Part Number	
E5-6200	No stop
E5-6210	Stop for clockwise rotation
E5-6220	Stop for counter-clockwise rotation

### Multi-Point Actuator



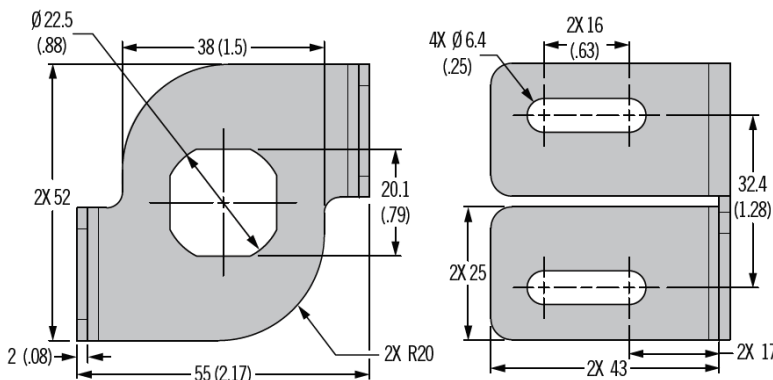
Part Number
A5-99-136

### Cable Bracket – Counter Clockwise Rotation



Part Number
AC-0-49617-11-L

### Cable Bracket – Clockwise Rotation



Part Number
AC-0-49617-11-R

## E5 Cam Latch Accessories

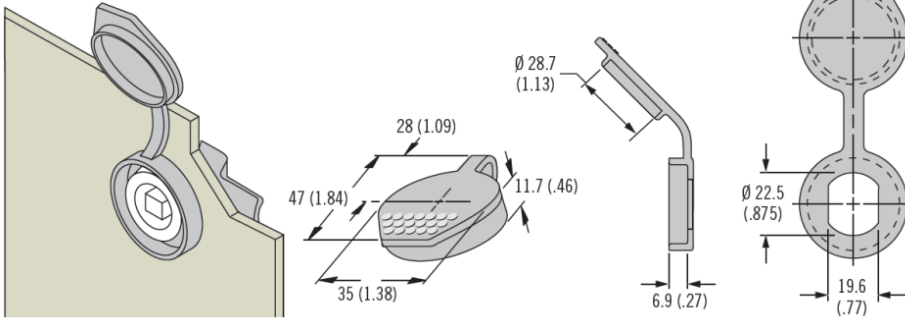
Sealing cover · Sealing washer · Pull tab · Padlock bracket



### Material

- Sealing washer: Neoprene natural
- Sealing cover: Thermoplastic elastomer, black
- Padlock bracket: Stainless steel, black powder coated
- Pull tab: Nylon, black

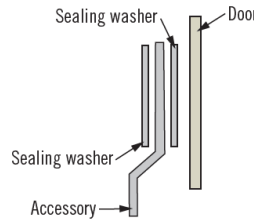
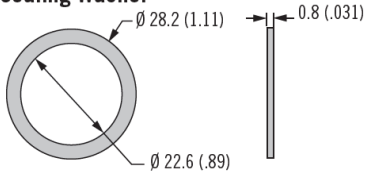
### Sealing Cover



### Installation Notes

- To provide sealing: use two sealing washers and add compressed thickness of each washer and accessory thickness to your door thickness range

### Sealing Washer

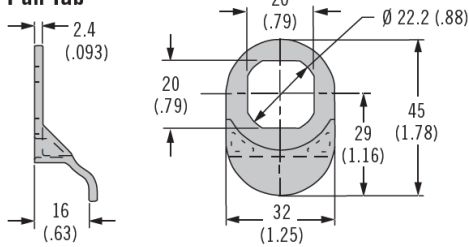


### Notes

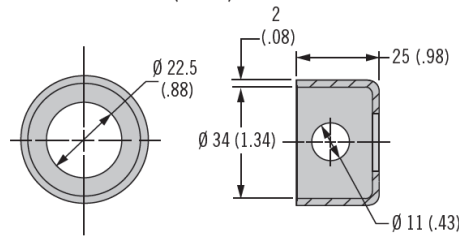
- Sealing cover for use with tool operated and cylinder lock E5 only
- Sealing washer for use with all E5 products
- Padlock brackets and pull tabs for use with tool operated and cylinder lock E5 only

Type	Part Number	Grip Adjustment Formula
Sealing washer	E5-17	Add 0.4 (0.02) compressed height to door thickness
Sealing cover	90-3	Add 2.3 (.090) to door thickness

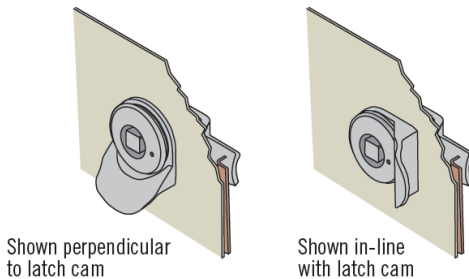
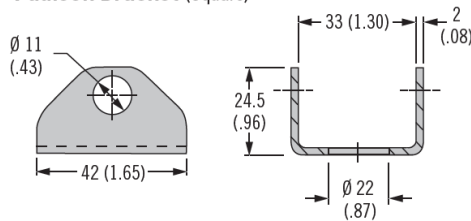
### Pull Tab



### Padlock Bracket (Round)



### Padlock Bracket (Square)



Type	Part Number	Grip Adjustment Formula
Padlock bracket square	E3-77-101-31	Add 2 (.08) to door thickness
Padlock bracket round	E3-77-102-31	Add 2 (.08) to door thickness
Pull tab	E5-18	Add 2.4 (.093) to door thickness

**southco**  
We are proud to be  
Southco's authorized  
distributor of over 20 years